



TeleMoment



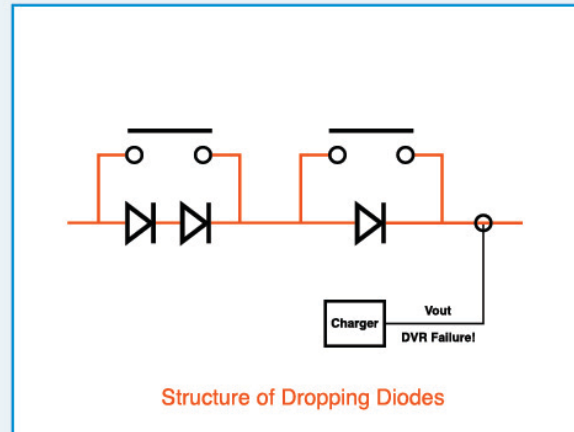
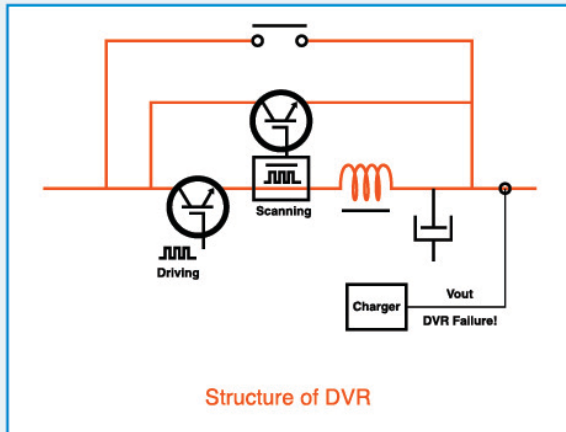
TDC

Industrial DC Rectifier
48/110/220 Vdc

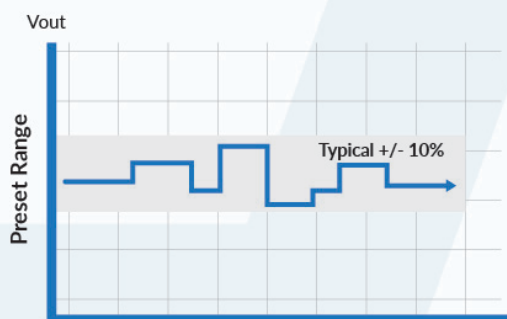
Main Features

- SCR Rectifier surviving rough environments
- Application: Battery charger, DC UPS or DC Power Supply
- Fully digital control, very flexible Boost/float charging modes
- Trouble-free, almost zero maintenance requirements

DC Voltage Regulator (DVR)



The DC Voltage Regulator (DVR) is a great option to be installed between the output of the rectifier and the load to prevent any unwanted high voltage at the load side. Compared to traditional dropping diodes, DVR employs high-frequency switching technology for precise voltage control and a double bypass circuit to increase reliability.



Traditional Dropping Diodes



Advanced DVR in TDC

Benefits of using Advanced DVR

- Highly reliable
- Very high efficiency
- Long operation life due to static components
- A speedy response that removes any high voltage from the load side

Robust Mechanical Design

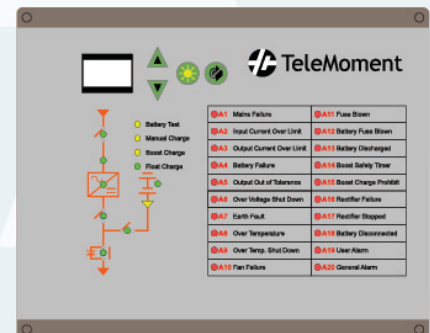
A robust cabinet is essential for industrial application, especially in rough environments.

TeleMoment TDC industrial rectifiers are housed in a cabinet of a solid frame and built with a 2mm metal sheet. It can be easily transported by using a forklift. The base frame lifts the whole floor unit by 100mm and provides easy floor mounting or fixing. A good balance between safety and accessibility has been achieved. IP42 is our standard, and optional IP54 cabinets are available as an option.



Intelligent Digital Panel (IDP)

- Connect with Intelligent devices via Wifi, ethernet, MODBUS
- Switchable wireless connection with handheld intelligent devices
- Accessible charger settings and configuration via an intuitive interface
- Downloadable history log for easy backup
- Built-in SNMP port, serial port for communication with other high level monitoring systems
- Local MIMIC, LCD display & LED lights for alarm & status check



Standard Models Specifications

SINGLE Phase Input

OUTPUT VOLTAGE (V)	24, 48, 110, 220
OUTPUT CURRENT (A)	50, 100, 150, 200, 300, 400, 500

THREE Phase Input

OUTPUT VOLTAGE (V)	24, 48, 110, 220
OUTPUT CURRENT (A)	50, 100, 150, 200, 300, 400, 500, 600, 800, 1000

INTERNATIONAL STANDARDS:

- IEC 60146-1-1:2009
- IEC 60076
- IEC 60529

Options

- IP54 cabinet
- DVR/ Dropping diodes
- 12-pulse and 24-pulse Rectifiers
- Branch Circuit Earth Fault monitoring
- Battery temperature compensation
- Anti-Condensation heater
- Output DC distribution
- External Meter Display
- Customization design



TeleMoment

Astrid Electronics HK Limited

Flat C-D, 9/F, Lucky Factory Building,
63-65 Hung To Road, Kwun Tong,
Kowloon, Hong Kong

Tel: +852 3427 2600
Fax: +852 2173 5111
Email: info@astrid.hk

www.astrid.hk
www.telemoment.com